

LED SOX LAMP  
PRODUCT SERIES DATASHEET



LED SOX Lamp Series



88Light SOX Series Lamp state of the art design with low light decay, high color rendering index LED chip source light and high quality low weight aluminum alloy housing fill in a high brightness and long lifespan street light. Its innovative popular design makes a perfect solution for multiple street lighting applications with minimum revamping cost.

Applications:



**Parking  
Lots**



**Multiple line  
Roads**



**Rural  
Street**



**Garage**

PRODUCT FEATURES

- State of the art design. Adopt the modern aesthetic streamline design, compact in structure and nice in appearance.
- High color rendering index SMD LED chips source light with high-quality.
- Power factor  $\geq 0.95$ . Adopt high-quality-high-efficiency constant current driver, to ensure the product's stability, also to reduce the power consumption greatly.
- Low temperatures. Long lifespan 50000 Hours (Base on work 12 to 16 hours every day).
- IP40 for SPD Application.
- With intelligent Lamp control system, requiring long-time lighting and energy saving.
- No mercury and lead. No UV. No infrared. No radiation. Without causing any flickering, helpful to protect the eyes.
- CE (TUV) for EMC and LVD approved and RoHS compliant.



**Waterproof**



**Light  
Weight**



**Easy to  
install**



**Hg**



**Longlife**



**Saving  
Energy**



**FC**



**CE**

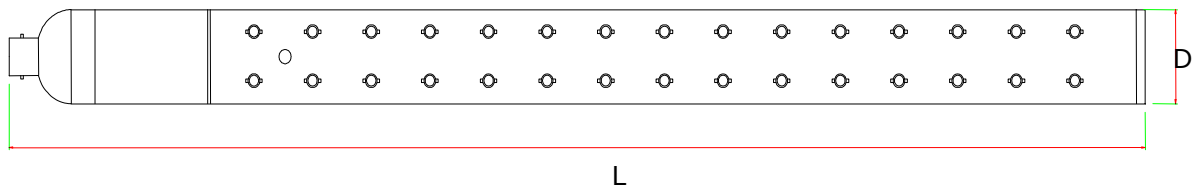


**RoHS**

LED SOX LAMP  
 PRODUCT SERIES DATASHEET



PRODUCT DIAGRAM



Product Name	L [mm]	D [mm]	Base [mm]
88L-SOX-16W	302	55	B22
88L-SOX-18W	427	55	B22
88L-SOX-24W	427	55	B22
88L-SOX-28W	530	55	B22
88L-SOX-40W	770	55	B22
88L-SOX-56W	1030	55	B22

LED SOX LAMP  
PRODUCT SERIES DATASHEET



TECHNICAL DATA

Electrical characteristics <sup>1,2,3,4</sup>:

Product Name	Operating Voltage [V]	Power [W]	Main Material	Power Factor [%]	Dimmable [Y/N]	Replace Traditional SOX [W]	IP Grade
88L-SOX-16W	AC110~277	16	Aluminum	≥0.90	N	35	IP40
88L-SOX-18W	AC110~277	18	Aluminum	≥0.90	N	55	IP40
88L-SOX-24W	AC110~277	24	Aluminum	≥0.90	N	55	IP40
88L-SOX-28W	AC110~277	28	Aluminum	≥0.90	N	90	IP40
88L-SOX-40W	AC110~277	40	Aluminum	≥0.90	N	135	IP40
88L-SOX-56W	AC110~277	56	Aluminum	≥0.90	N	180	IP40

Note 1: Absolute ratings @ 25°C.

Optical Characteristics <sup>1, 5</sup>:

Product Name	Color	Color Temperature [°K]	Luminescence <sup>2</sup> [lm]	CRI (Ra)	Beam angle [°]
88L-SOX-16W-CW	Cold White	6000	1600	>70	140x80
88L-SOX-16W-NW	Nature White	4500	1600	>70	140x80
88L-SOX-16W-WW	Warm White	3000	1500	>70	140x80
88L-SOX-18W-CW	Cold White	6000	1800	>70	140x80
88L-SOX-18W-NW	Nature White	4500	1800	>70	140x80
88L-SOX-18W-WW	Warm White	3000	1600	>70	140x80
88L-SOX-24W-CW	Cold White	6000	2400	>70	140x80
88L-SOX-24W-NW	Nature White	4500	2400	>70	140x80
88L-SOX-24W-WW	Warm White	3000	2200	>70	140x80
88L-SOX-28W-CW	Cold White	6000	2800	>70	140x80
88L-SOX-28W-NW	Nature White	4500	2800	>70	140x80
88L-SOX-28W-WW	Warm White	3000	2500	>70	140x80
88L-SOX-40W-CW	Cold White	6000	4000	>70	140x80
88L-SOX-40W-NW	Nature White	4500	4000	>70	140x80
88L-SOX-40W-WW	Warm White	3000	3600	>70	140x80
88L-SOX-56W-CW	Cold White	6000	5600	>70	140x80
88L-SOX-56W-NW	Nature White	4500	5600	>70	140x80
88L-SOX-56W-WW	Warm White	3000	5300	>70	140x80

Note 1: Absolute ratings @ 25°C.

Note 2: Tolerance of measurement of luminous intensity±5%.

LED SOX LAMP  
PRODUCT SERIES DATASHEET

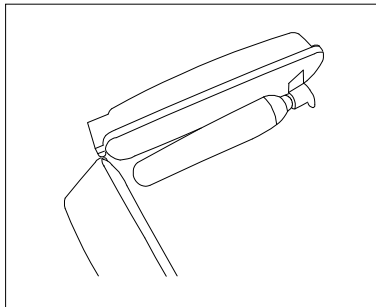


PRODUCT INSTALLATION:

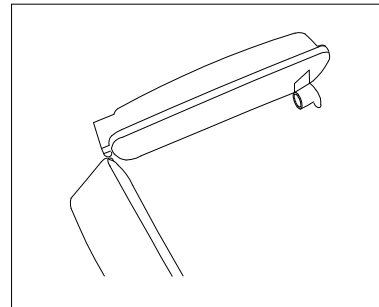
---

Precaution: Switch off power before doing any works.

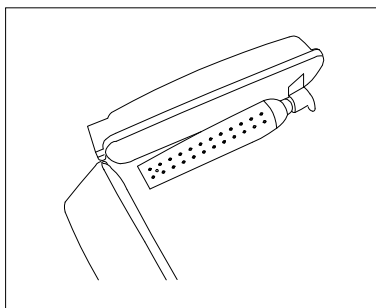
Step 1: Open the front cover.



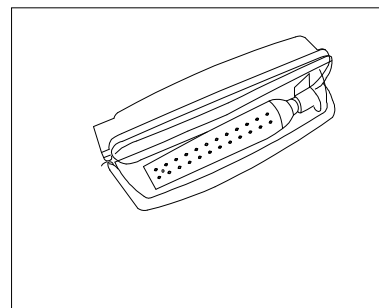
Step 2: Take out the old traditional SOX lamp and ballast if there is it. The LED SOX lamp no need ballast, or the LED lamp will be damaged.



Step 3: Install the LED SOX lamp into the base and fix it well, then power on test it.



Step 4: Finally, close the front cover and fix the screws well.



LED SOX LAMP  
PRODUCT SERIES DATASHEET



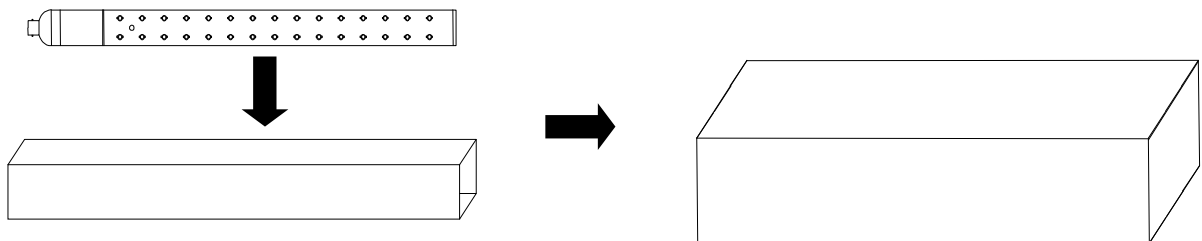
SAFETY

---

1. **Always** consult a qualified, licensed electrician prior to the installation of this product.
2. **Always** ensure that all components are joined properly before they are installed.
3. It is recommended that adequate airflow and heatsink be taken into account in the application and installation of this product. Improper thermal management may lead to premature failure.
4. If any doubt about the installation or use of this product, consult a competent electrician.
5. Exceeding the operating temperature values may damage LED chips by reducing the total lamp life and lumen output, and inversely impact color consistency.
6. Switch off power of the mains supply or respectively of the connection lead before doing any works.
7. Avoid voltage drops by using a dedicated line for each maximum power consumption line.
8. The manufacturer rates each power supply for maximum power output at optimum thermal and voltage conditions. As with any power supply, true actual maximum continuous current output depends upon various environmental factors such as ambient temperature, line voltage fluctuations, and orientation that may affect heat dissipation. For optimum performance, make sure the load is between 50% and 80% of the total capacity of the power supply.
9. LED products are continuously being improved upon in ever-shortening manufacturing cycles. LED color temperature (kelvin), lumen output, and product appearance can change from order to order. Please note that variation in color temperature (kelvin) is commonly +/- 250k and brightness (lumens) is +/- 10%.

PACKING:

---



LED SOX LAMP  
PRODUCT SERIES DATASHEET



PACKING<sup>6</sup>:

Product Name	Outer Carton Size(L×W×H)[mm]	Qty/Carton [pcs]	Gross Weight [Kg]	Unit Weight [Kg]
88L-SOX-16W	325x200x335	15	9.2	8.43
88L-SOX-18W	325x200x455	15	13.95	11.96
88L-SOX-24W	325x200x455	15	13.95	11.96
88L-SOX-28W	325x200x565	15	16.95	16.12
88L-SOX-40W	805x130x190	6	9.6	8.22
88L-SOX-56W	1065x130x190	6	13.56	12.93

Note 3: The package information is only for reference.

OTHER 88Light PRODUCTS:

For more information about 88Light products, or to use our online energy saving calculation software please visit our website

[www.88light.com](http://www.88light.com)

DISCLAIMER:

88Light reserves the right to modify the design of our products as part of the company's program of continuous improvement. 88Light cannot guarantee to match existing installed product for subsequent orders or replace the product exactly to match the product you are replacing in product appearance, color, or brightness. Specifications are subject to change without notice.